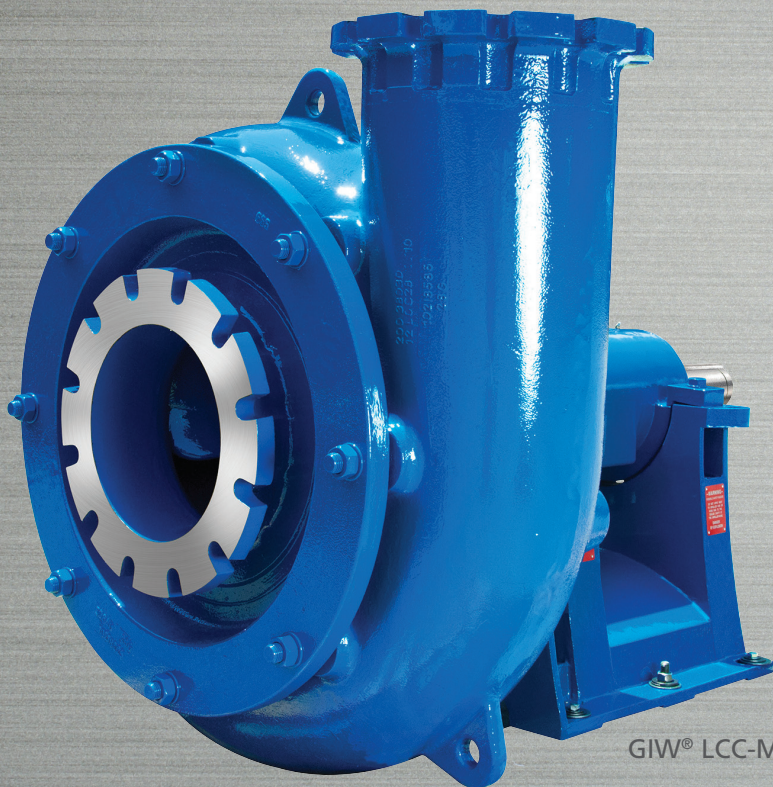
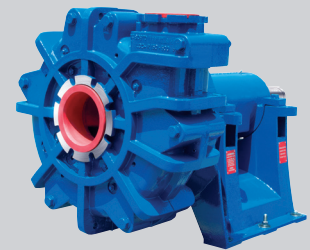


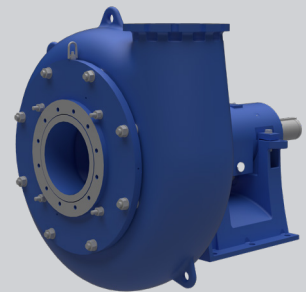
GIW® LCC Pump Series - Wear Resistant, High Performance Slurry Pumps



GIW® LCC-M



GIW® LCC-R



GIW® LCC-H

Solutions for the most **Abrasive and Corrosive** Slurry Applications

With High Performance Wear Resistance, the GIW® LCC Pump family withstands the most severe slurry applications.

The LCC Pump family is recommended for applications with coarse or fine particles from solids-laden waste to aggressive slurries of an abrasive and/or corrosive nature.

LCC's rugged design features, combined with shell, impeller and liner in our proprietary Gasite® material, are recognized worldwide for superior abrasion resistance. In addition, several impeller options to fine tune pump

performance, and customized pumping needs are available. These options allow optimum wear life and sustained efficiency.

For high performance and low maintenance the wet end consists of three components: a shell or casing, an impeller that screws onto the shaft and a suction plate/liner to permit easy assembly and disassembly for maintenance and inspections.

Actual Photo: LCC-R in service at a metals processing plant in Mexico.



Choose the GIW® LCC Pump for Aggressive Slurries

Wear Resistant Wet End Parts

- Advanced metallurgy provides wear resistant alloys tailored to meet virtually any slurry pumping condition.

Advanced Hydraulic Design

- Uses the latest technology tried and tested in our Hydraulic Laboratory and in the field.

Single Wall Hard Metal shell

- CAD designed shell and replaceable suction plate/liner
- Interchangeable sizes with 2 pedestals and 4 mechanical ends
- Alloys available for difficult chemical applications

Rubber Lined

- Precision molded rubber parts
- Bolt in liners for easy maintenance
- CNC machined ductile iron casings
- 2-stage operating pressure capacity up to 230 psi (16 bar)

Extra Heavy Hard Metal

- Heavier metal sections and hydraulics suited to severe duties
- 2-stage operating pressure capacity up to 230 psi (16 bar)
- Separate suction liner and non-wearing plate (lower replacement cost)
- Available in sizes 150-500 (6" x 20") and above

High Pressure Hard Metal

- Discharge sizes range from 50 mm to 200 mm
- 3-Stage operating pressure capacity up to 350 psig (24 bar)
- Separate suction liner and non-wearing plate 80 to 250 mm (3" to 10")

Impellers (metal/rubber)

- Twisted three vane design provides high efficiency and low net positive suction head requirements
- Maximum sphere passage
- Available in various materials including alloys, polyurethane and extreme duty versions



Also available in rubber

- Interchangeable with metal impellers used in LCC-H pumps
- Designed with proven advanced hydraulics
- Best wear resistant rubber on the market
- Thickened shrouds and vanes provide maximum wear resistance in heavier slurries

Cartridge Bearing Assembly

- CNC machined cast iron cylindrical housing
- Double row tapered roller bearings handle mechanical and thrust forces
- INPRO® Bearing Isolators are standard
- Oil or grease lubrication

Pedestal

- CNC machined cast iron
- Self-aligning concentric bearing supports
- Integrated impeller gap adjustment screw
- Two pedestal sizes for entire LCC range

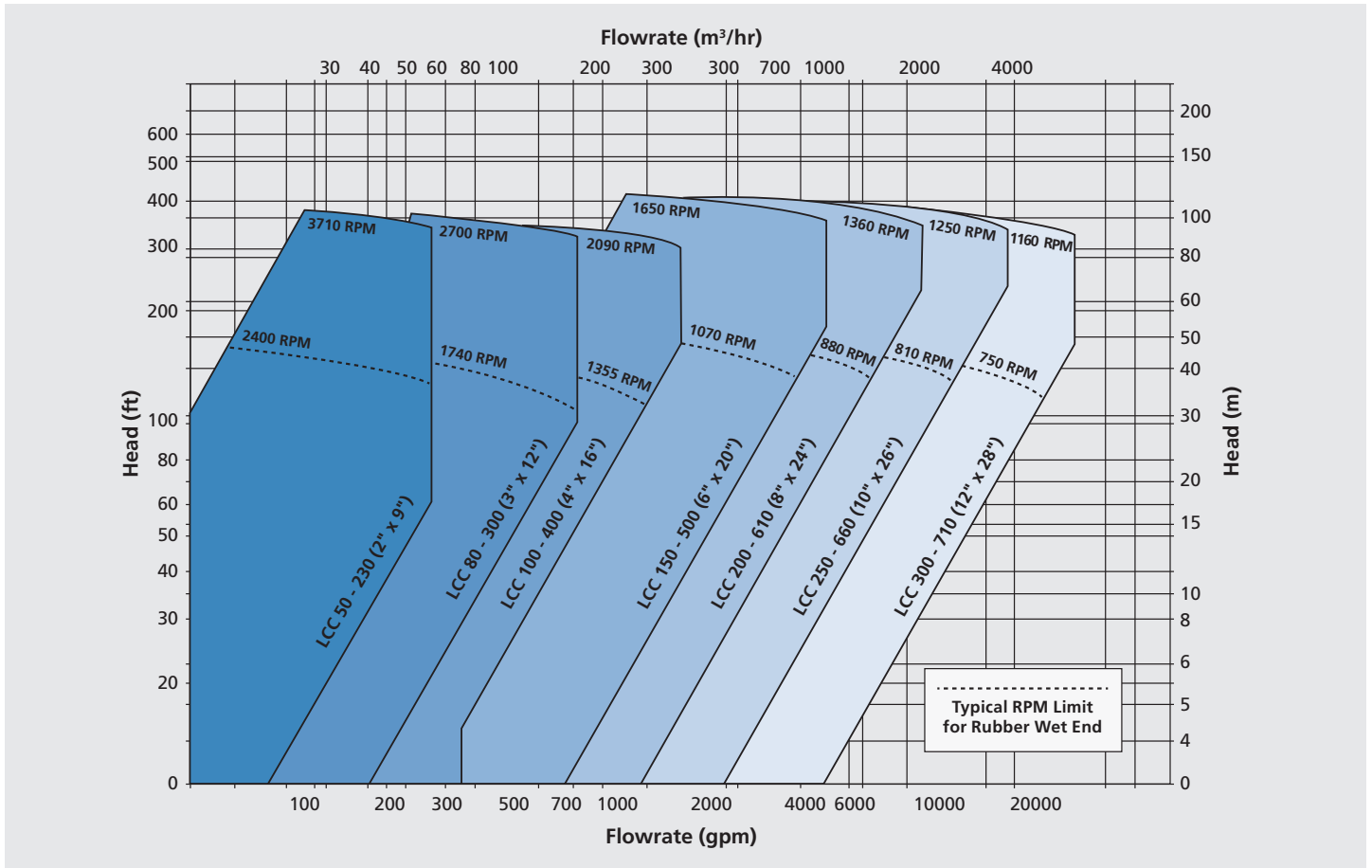
Technical Data

Discharge	2 to 12 in (50 to 300 mm) *High Pressure 2 to 8 in (50 to 200 mm)
Flow rates	up to 14,100 gpm (3,200 m ³ /h)
Total head	up to 300 ft (90 m)
Power rating	up to 750 Hp (560 kW)
Temperature limit	up to 248°F (+120°C)

Applications

- Sand and Gravel
- In-plant Processes
- Mineral Processing
- Secondary Grinding
- Tailings
- Chemical Slurry Service
- Coal Preparation

The LCC Pump Series offers a wide selection range



LCC Seal Arrangements

1 Mechanical Seal

- Use when gland water cannot be added to process
- Available for standard and chemical duty
- Dry design, optional back flush, and double

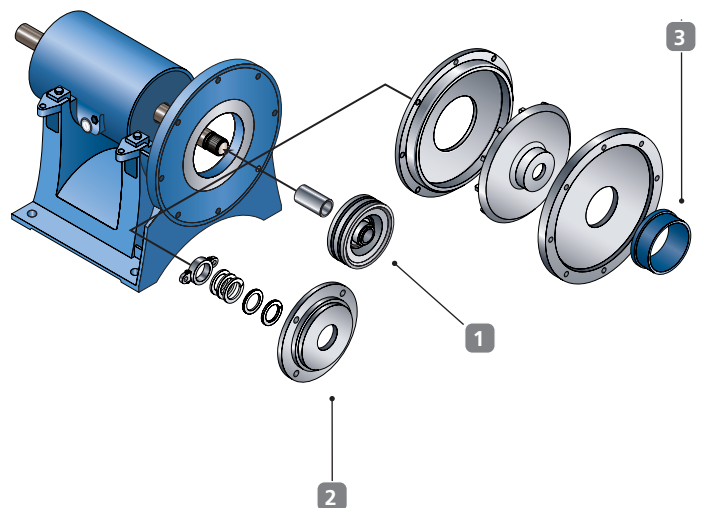
2 Stuffing Box

- Standard KE design with lantern ring and packing
- Throttle bushing design for special applications

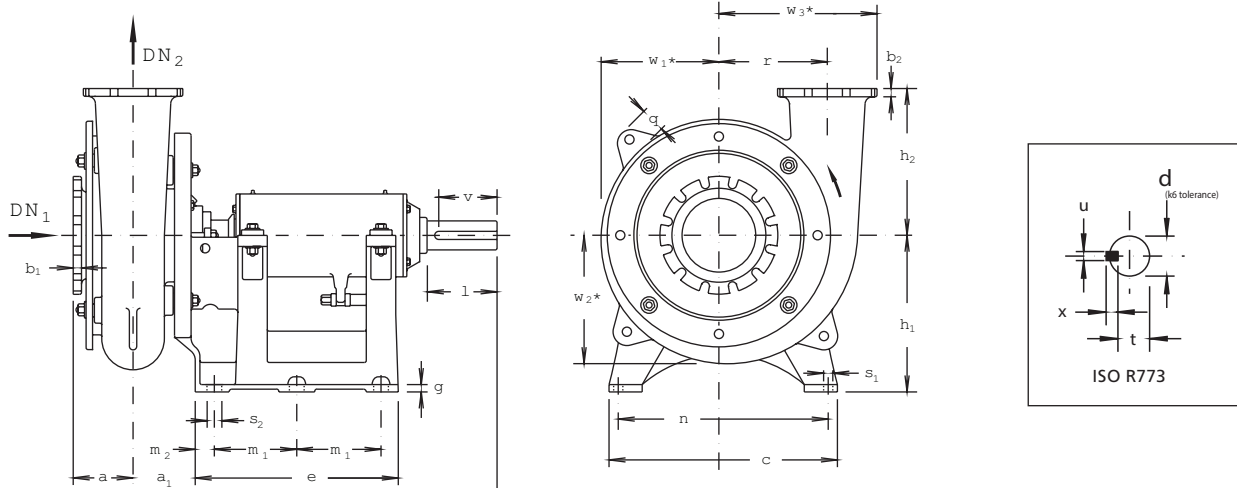
3 *Expeller Seal

- Use when process dilution must be minimized
- Expeller rotor and chamber balance pressures at gland packing for zero leakage
- Exclusive internal diverter provides additional efficiency
- Stuffing box includes port for maintenance flushing

*Note: Not applicable on HP Pumps



LCC Metal Dimensions

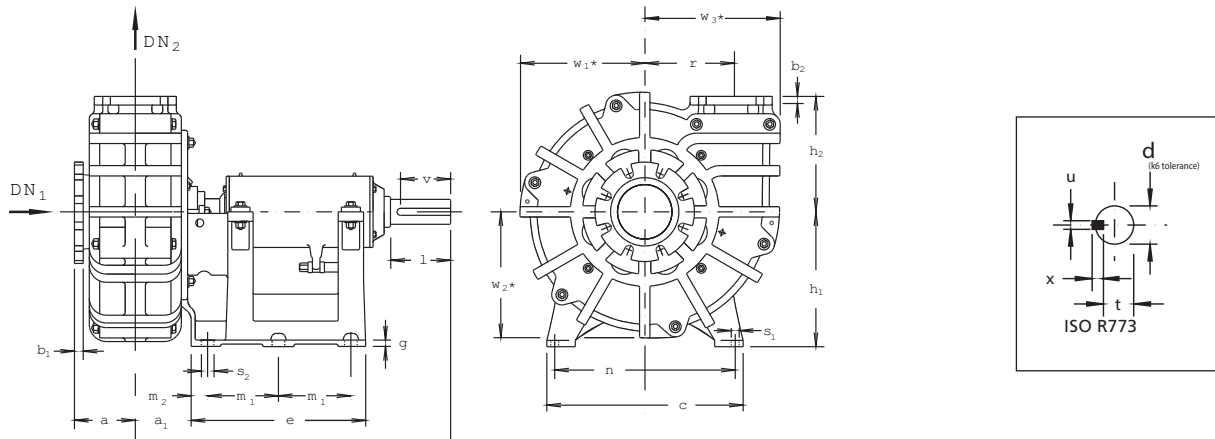


Pump and Shaft Size	Pump		*May exceed h_1								Dimensions in inches (US)			Shaft in mm	
	DN_1	DN_2	a	a_1	b_1	b_2	f	h_1	h_2	r	w_1 (ref.)	w_2 (ref.)	w_3 (ref.)	q (ref.)	
(2"x9")	2	3	2	4.53	4.61 ¹⁾	0.87	0.79	32.09 ¹⁾	14.57	9.06	5.71	6.69	6.89	8.71	1.56
(3"x12")	2	4	3	4.72	4.96 ¹⁾	0.87	0.87	32.40 ¹⁾	14.57	10.63	7.87	8.86	9.45	11.62	1.88
(4"x16")	2	6	4	5.32	5.43 ¹⁾	0.94	0.94	32.87 ¹⁾	14.57	12.80	9.84	11.22	11.81	14.34	2.19
	3	6	4	5.32	7.91 ³⁾	0.94	0.94	43.19 ³⁾	21.26	12.80	9.84	11.22	11.81	14.34	2.19
150-500	3	8	6	6.89	7.44 ²⁾	1.26	0.94	42.72 ²⁾	21.26	16.14	12.21	14.17	14.76	17.71	2.63
(6"x20")	4	8	6	6.89	7.44 ²⁾	1.26	1.06	48.23 ²⁾	21.26	16.14	12.21	14.17	14.76	17.71	2.63
200-610	3	10	8	8.27	8.62 ²⁾	1.26	1.06	43.90 ²⁾	21.26	20.08	14.17	16.54	17.32	20.92	3.38
(8"x24")	4	10	8	8.27	8.62 ²⁾	1.26	1.26	49.41 ²⁾	21.26	20.08	14.17	16.54	17.32	20.92	3.38
	5	10	8	8.27	8.62 ²⁾	1.26	1.26	52.56 ²⁾	21.26	20.08	14.17	16.54	17.32	20.92	3.38
250-660	3	12	10	9.65	9.80 ²⁾	1.26	1.26	45.08 ²⁾	21.26	22.05	15.95	18.90	20.08	23.95	3.94
(10"x26")	4	12	10	9.65	9.80 ²⁾	1.26	1.26	50.59 ²⁾	21.26	22.05	15.95	18.90	20.08	23.95	3.94
	5	12	10	9.65	9.80 ²⁾	1.26	1.26	53.74 ²⁾	21.26	22.05	15.95	18.90	20.08	23.95	3.94
300-710	3	14	12	11.42	11.38 ²⁾	1.46	1.26	46.65 ²⁾	21.26	22.05	18.11	22.05	24.02	27.61	3.94
(12"x28")	4	14	12	11.42	11.38 ²⁾	1.46	1.26	52.17 ²⁾	21.26	22.05	18.11	22.05	24.02	27.61	3.94
	5	14	12	11.42	11.38 ²⁾	1.46	1.26	55.32 ²⁾	21.26	22.05	18.11	22.05	24.02	27.61	3.94

1) When assembled with expeller + 2.76 in 2) When assembled with expeller + 3.94 in 3) No expeller

Shaft Size	Pedestal and Shaft End										Dimensions in inches (US)				Shaft in mm
c	e	g	m_1	m_2	n	s_1	s_2	d (mm)	l	t (mm)	u (mm)	v (mm)	x (mm)		
2	20.87	19.53	0.79	7.78	1.85	18.90	1.00	1.56	50	5.98	44.5	14	100	9	
3	31.50	27.40	1.00	11.32	2.60	28.54	1.38	2.00	70	6.77	62.5	20	140	12	
4	31.50	27.40	1.00	11.32	2.60	28.54	1.38	2.00	100	10.04	90.0	28	200	16	
5	31.50	27.40	1.00	11.32	2.60	28.54	1.38	2.00	125	10.43	113.9	32	200	18	

LCC Rubber Dimensions

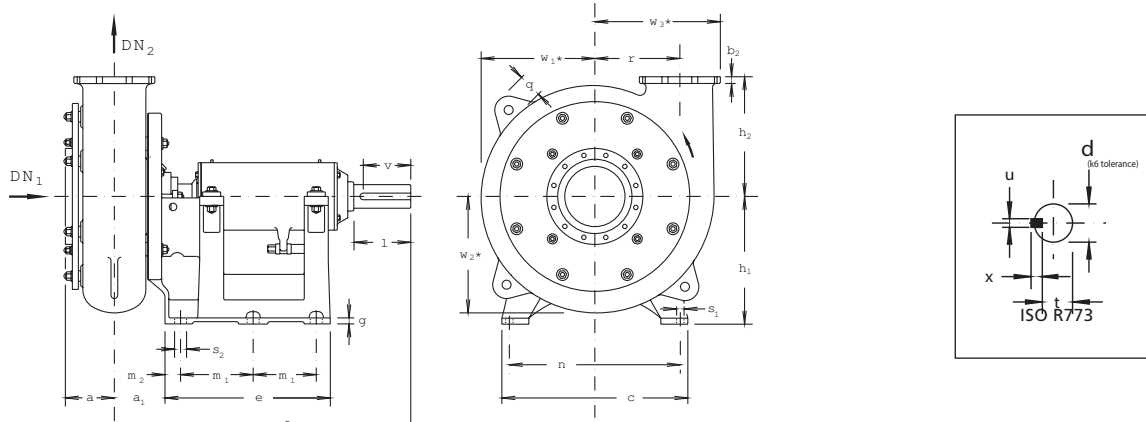


Pump and Shaft Size	Pump		*May exceed h_1 Dimensions in inches (US) Shaft in mm											
	DN ₁	DN ₂	a	a ₁	b ₁	b ₂	f	h ₁	h ₂	r	w ₁ (ref.)	w ₂ (ref.)	w ₃ (ref.)	
(2"x9")	2	3	2	4.53	4.61 ¹⁾	0.87	0.79	32.09 ¹⁾	14.57	9.06	5.71	8.82	9.17	9.49
(3"x12")	2	4	3	4.72	4.96 ¹⁾	0.87	0.87	32.40 ¹⁾	14.57	10.63	7.87	11.38	11.81	12.28
(4"x16")	2	6	4	5.32	5.43 ¹⁾	0.94	0.94	32.87 ¹⁾	14.57	12.80	9.84	14.29	14.84	15.43
150-500	3	8	6	6.89	7.44 ²⁾	1.26	1.06	42.72 ²⁾	21.26	16.14	12.21	17.95	18.70	19.41
(6"x20")	4	8	6	6.89	7.44 ²⁾	1.26	1.06	48.23 ²⁾	21.26	16.14	12.21	17.95	18.70	19.41
200-610	3	10	8	8.27	8.62 ²⁾	1.26	1.26	43.90 ²⁾	21.26	20.08	14.17	21.14	21.97	22.80
(8"x24")	4	10	8	8.27	8.62 ²⁾	1.26	1.26	49.41 ²⁾	21.26	20.08	14.17	21.14	21.97	22.80
	5	10	8	8.27	8.62 ²⁾	1.26	1.26	52.56 ²⁾	21.26	20.08	14.17	21.14	21.97	22.80
250-660	3	12	10	9.65	9.80 ²⁾	1.26	1.26	45.08 ²⁾	21.26	22.05	15.95	23.82	25.00	26.18
(10"x26")	4	12	10	9.65	9.80 ²⁾	1.26	1.26	50.59 ²⁾	21.26	22.05	15.95	23.82	25.00	26.18
	5	12	10	9.65	9.80 ²⁾	1.26	1.26	53.74 ²⁾	21.26	22.05	15.95	23.82	25.00	26.18
300-710	3	14	12	11.42	11.38 ²⁾	1.46	1.26	46.65 ²⁾	21.26	25.20	18.11	27.24	28.98	30.75
(12"x28")	4	14	12	11.42	11.38 ²⁾	1.46	1.26	52.17 ²⁾	21.26	25.20	18.11	27.24	28.98	30.75
	5	14	12	11.42	11.38 ²⁾	1.46	1.26	55.32 ²⁾	21.26	25.20	18.11	27.24	28.98	30.75

1) When assembled with expeller + 2.76 in 2) When assembled with expeller + 3.94 in

Shaft Size	Pedestal and Shaft End									Dimensions in inches (US) Shaft in mm				
	c	e	g	m ₁	m ₂	n	s ₁	s ₂	d (mm)	l	t (mm)	u (mm)	v (mm)	x (mm)
2	20.87	19.53	0.79	7.78	1.85	18.90	1.00	1.56	50	5.98	44.5	14	100	9
3	31.50	27.40	1.00	11.32	2.60	28.54	1.38	2.00	70	6.77	62.5	20	140	12
4	31.50	27.40	1.00	11.32	2.60	28.54	1.38	2.00	100	10.04	90.0	28	200	16
5	31.50	27.40	1.00	11.32	2.60	28.54	1.38	2.00	125	10.43	113.9	32	200	18

LCC Extra Heavy & High Pressure Dimensions



Pump and Shaft Size		Pump		*May exceed h_1 Dimensions in inches (US) Shaft in mm										
		DN ₁	DN ₂	a	a ₁	b ₂	f	h ₁	h ₂	r	w ₁ (ref.)	w ₂ (ref.)	w ₃ (ref.)	q (ref.)
150-500	3	8	6	6.89	7.44 ²⁾	1.06	42.72 ²⁾	21.26	16.14	12.21	16.34	16.73	17.71	2.63
(6"x20")	4	8	6	6.89	7.44 ²⁾	1.06	48.23 ²⁾	21.26	16.14	12.21	16.34	16.73	17.71	2.63
200-610	3	10	8	8.27	8.62 ²⁾	1.26	43.90 ²⁾	21.26	20.08	14.17	18.90	19.49	20.92	3.94
(8"x24")	4	10	8	8.27	8.62 ²⁾	1.26	49.41 ²⁾	21.26	20.08	14.17	18.90	19.49	20.92	3.94
	5	10	8	8.27	8.62 ²⁾	1.26	52.56 ²⁾	21.26	20.08	14.17	18.90	19.49	20.92	3.94
250-660	3	12	10	9.65	9.80 ²⁾	1.26	45.08 ²⁾	21.26	22.05	15.95	21.65	22.44	23.95	3.94
(10"x26")	4	12	10	9.65	9.80 ²⁾	1.26	50.59 ²⁾	21.26	22.05	15.95	21.65	22.44	23.95	3.94
	5	12	10	9.65	9.80 ²⁾	1.26	53.74 ²⁾	21.26	22.05	15.95	21.65	22.44	23.95	3.94
300-710	3	14	12	11.42	11.38 ²⁾	1.26	46.65 ²⁾	21.26	25.20	18.11	25.59	26.97	27.61	3.94
(12"x28")	4	14	12	11.42	11.38 ²⁾	1.26	52.17 ²⁾	21.26	25.20	18.11	25.59	26.97	27.61	3.94
	5	14	12	11.42	11.38 ²⁾	1.26	55.32 ²⁾	21.26	25.20	18.11	25.59	26.97	27.61	3.94

1) When assembled with expeller + 2.76 in 2) When assembled with expeller + 3.94 in

Slysel Reference - High Pressure		*May exceed h_1 Dimensions in inches (US) Shaft in mm												
Pump #	Shaft Size	DN ₁	DN ₂	a	a ₁	b ₂	f	h ₁	h ₂	r	w ₁ (ref.)	w ₂ (ref.)	w ₃ (ref.)	q (ref.)
1087E - 50-230 (2" x 9")	2	3	2	4.65	4.61	0.79	32.13	14.57	9.06	5.71	7.86	8.44	8.66	1.56
1088E - 80-300 (3" x 12")	2	4	3	4.37	1.85	0.87	32.44	8.56	10.63	7.87	8.88	10.13	11.22	1.57
1093E - 100-400 (4" x 16")	3	6	4	6.02	7.81	0.94	48.38	21.26	12.80	9.84	10.13	13.17	14.60	2.19
1091E - 150-500 (6" x 20")	4	8	6	6.99	9.76	1.50	57.73	21.26	20.20	12.24	17.60	17.60	17.75	4.69
1092E - 200-610 (8" x 24")	4	10	8	8.29	10.39	1.63	59.54	21.26	24.05	14.17	20.11	19.95	22.15	4.69

Shaft Size	Pedestal and Shaft End								Dimensions in inches (US) Shaft in mm					
c	e	g	m ₁	m ₂	n	s ₁	s ₂	d (mm)	l	t (mm)	u (mm)	v (mm)	x (mm)	
2	20.87	19.53	0.79	7.78	1.85	18.90	1.00	1.56	50	5.98	44.5	14	100	9
3	31.50	27.40	1.00	11.32	2.60	28.54	1.38	2.00	70	6.77	62.5	20	140	12
4	31.50	27.40	1.00	11.32	2.60	28.54	1.38	2.00	100	10.04	90.0	28	200	16
5	31.50	27.40	1.00	11.32	2.60	28.54	1.38	2.00	125	10.43	113.9	32	200	18



GIW Industries, Inc. (A KSB Company)
5000 Wrightsboro Road, Grovetown
Georgia 30813-2842, USA
www.giwindustries.com

GIW® Slurry Pumps